

## Helix® Wall-Mount IoT-Enabled ECOPOWER® Faucet

### FEATURES

- Wireless Communication
- Connects seamlessly with Georgia-Pacific's (GP) KOLO™ Smart Monitoring System and through an API to facilities monitoring platforms
- Service agreement with GP required to enable IoT or Smart Features
- ECOPOWER faucet's operation is independent of its IoT capability
- Some of the IoT-enabled Smart Features include: failure detection, usage, water consumption, and battery/capacitor charge
- Self-generating hydropowered ECOPOWER system
- No minimum daily usage requirement
- Micro-sensor positioned underneath the spout head for accurate hand detection ensuring smooth and consistent water distribution
- Durable chrome plated spout body
- Single-hole mount
- Kit includes spout body, controller box, and mounting hardware - less supply lines
- Laminar flow
- Equipped with 1.0 gpm flow control

### MODELS

- TEL131i2-D60E#CP**
  - TELS131 (Helix WM Spout)
  - TELC101i2-D60E (Controller: 1.0gpm, 60 sec on-demand)
- TEL131i2-D60EM#CP
  - **TEL131i2-D60E#CP** (Helix WM Spout Kit)
  - TLM10 (Mixing Valve)
- TEL131i2-D60ET#CP
  - **TEL131i2-D60E#CP** (Helix WM Spout Kit)
  - TLT10R (Thermostatic Mixing Valve)
- TEL131i2-D10E#CP**
  - TELS131(Helix WM Spout)
  - TELC101i2-D10E (Controller: 0.18gpc, 10 sec on-demand)
- TEL131i2-D10EM#CP
  - **TEL131i2-D10E#CP** (Helix WM Spout Kit)
  - TLM10 (Mixing Valve)
- TEL131i2-D10ET#CP
  - **TEL131i2-D10E#CP** (Helix WM Spout Kit)
  - TLT10R (Thermostatic Mixing Valve)



### PRODUCT SPECIFICATION

TOTO Model # \_\_\_\_\_ The faucet shall have hydropowered self-generating, ECOPOWER System. The faucet shall have maximum of 60 seconds on-demand flow (1.0 gpm) or 10 seconds on-demand flow (0.18gpc). Product shall have anti-scald shape memory alloy thermostatic mixing valve (-ET models only). The faucet shall have self-adjusting sensor.

### CODES/STANDARDS

- Operates below federally mandated consumption limit of 0.25gpc
  - Complies to California Green Building Code, CALGreen of 0.20 gpc
  - Meets or exceeds ASME A112.18.1/CSA B125.1, and NSF 372
  - FCC compliant to Part 15
  - Certifications: IAPMO(cUPC), State of Massachusetts, and others
  - California Green Code and City of Los Angeles Water Efficiency Ordinance
  - ADA compliant
  - Complies with federal and state statutes as low-lead (contains a weighted average of 0.25% lead or less)
  - Complies with CA Prop 65 warning requirements
- \* For codes and standards of mixing valves TLM10 and TLT10R, please refer to corresponding product spec sheets.



# TEL131i2 Series

## Helix® Wall-Mount IoT-Enabled ECOPOWER® Faucet

### SPECIFICATIONS

<b>Power Supply</b>	ECOPOWER	
<b>Sensor Detection Range</b>	5-1/8" - 7-7/8" (130 - 200mm) Sensor is self-adjusting	
<b>Water Supply Pressure</b>	Min (Dynamic/Flowing) Pressure: 15psi (100kPa) Max (Static) Pressure: 80 psi (551kPa)	
<b>Water Supply</b>	G1/2 (1/2 NPSM compatible)	
<b>Inlet Temperature Range</b>	39-110°F(4-42°C)	
<b>Ambient Temperature</b>	32-104°F(0-40°C)	
<b>Humidity</b>	Max. 90% RH	
<b>Flow Rate</b>	D10E	0.18 gpc* - max 10 second On-Demand** (0.18 gpc = 1.0 gpm x 10/60 seconds) Equipped with 1.0 gpm flow control
	D60E	1.0 gpm
<b>Warranty</b>	Three years	

\*Gallons per cycle (gpc) is the amount of water per usage cycle .

\*\* On-demand refers to the way in which the water is dispersed (i.e.; water is only dispersed when the sensor is activated by the user as needed).

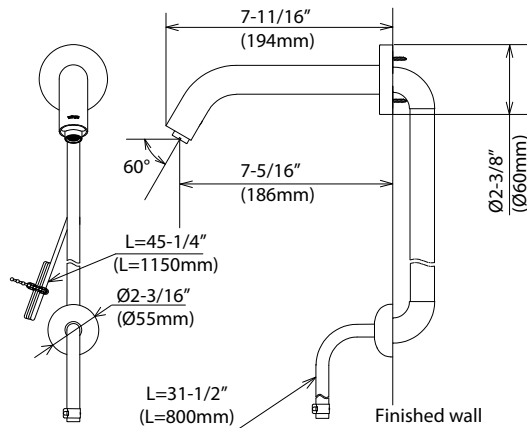
### NOTE

Following the federal mandate for water efficiency outlined in the Environmental Protection Act of 1992, faucets can be rated for water consumption based on two categories: Flow Rate and Water Consumption. TOTO uses the water consumption standard because it is the most accurate method of measuring water use. TOTO faucets also comply with the CALGreen Guideline of water usage.

#### Water Saving

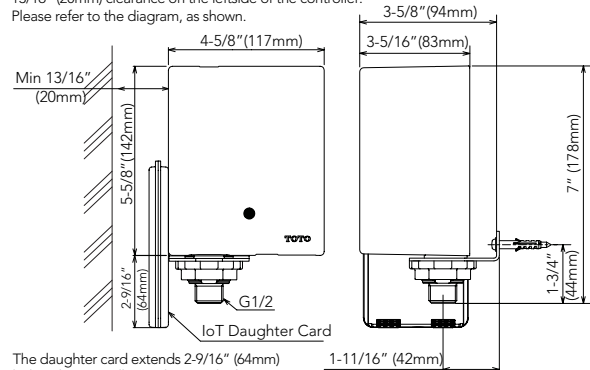
On-Demand [10 sec.] faucet (0.18gpc)  
Federal Standard (0.25gpc) – 28% less  
CAL Green (0.20gpc) – 10% less

### Helix Wall-Mount



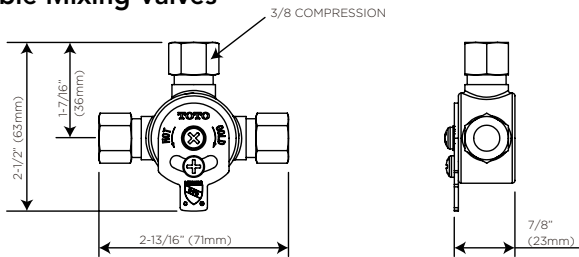
### Controller

The IoT daughter card installation requires minimum 13/16" (20mm) clearance on the left side of the controller. Please refer to the diagram, as shown.

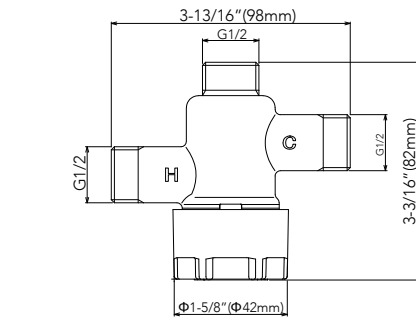


The daughter card extends 2-9/16" (64mm) below the controller. Make sure the bottom of the daughter card doesn't hit any obstacles.

### Available Mixing Valves



Hot/Cold Mixing Tee (TLM10)



G1/2 compatible with 1/2 NPSM

Thermostatic Mixing Valve (TLT10R)

**TOTO®**

These dimensions and specifications are subject to change without notice