

## GE Tub Spout

### FEATURES

---

- Laminar flow
- Solid brass construction
- 1/2" NPT connection

### COLORS/FINISHES

---

- #CP Polished Chrome
- #BN Brushed Nickel

#### **Made to Order**

- #PN Polished Nickel
- #PFG Polished French Gold
- #PBR Polished Bronze
- #MBL Matte Black

### PRODUCT SPECIFICATION

---

The tub spout shall have a laminar flow. Product shall have brass construction. Product shall be TOTO Model TBG07001U#\_\_\_\_\_.



### CODES/STANDARDS

---

- Meets or exceeds ASME A112.18.1/CSA B125.1
- Certifications: IAPMO(cUPC), State of Massachusetts, and others
- Code Compliance: UPC, IPC, NSPC, NPC Canada, and others
- Complies with CA Prop 65 warning requirements



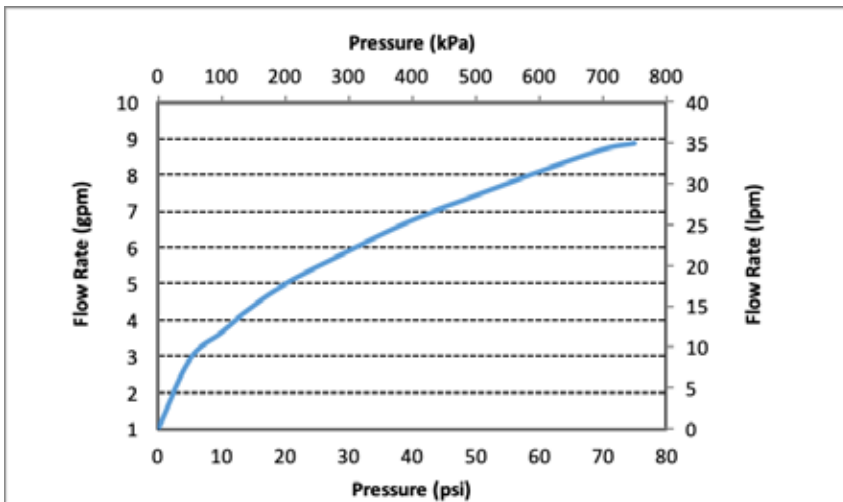
c ®

# TBG07001U

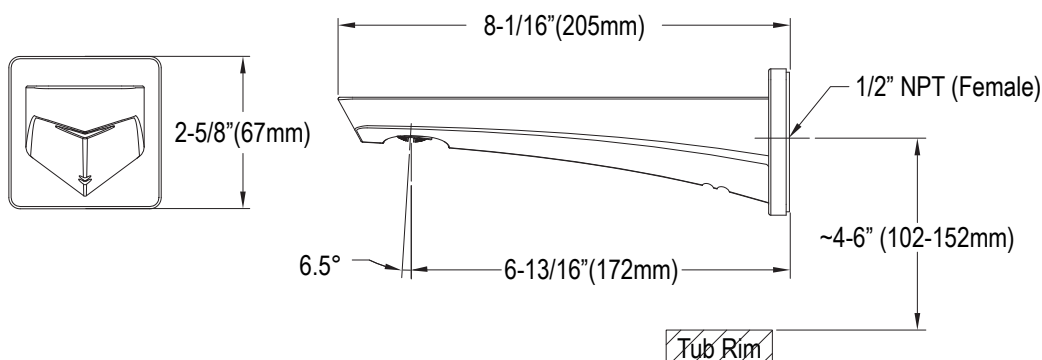
GE Tub Spout

## SPECIFICATIONS

<b>Material</b>	Brass
<b>Warranty</b>	Lifetime Limited Warranty (Residential Use) One Year (Commercial Use)
<b>Shipping Weight</b>	3.2 lbs
<b>Shipping Dimensions</b>	10" L x 4-1/8" W x 3-7/8" H



## DIMENSIONS



These dimensions and specifications are subject to change without notice.

**TOTO**

Ph: (888) 295-8134 | Fax: (800) 699-4889 | www.totousa.com | © TOTO USA

# SS-01721 v.02