

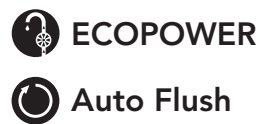
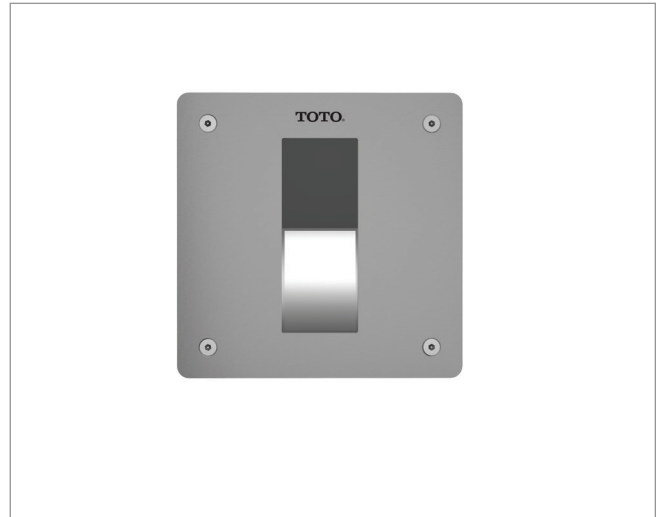
ECOPOWER® Toilet Flush Valve, 1.6 GPF

FEATURES

- 1.6 GPF
- Self-powered hydroelectric flush valve system
- No minimum daily usage requirement
- 4" x 4" stainless steel coverplate with brushed satin finish and solid bronze valve body
- Self-cleaning piston valve with 360° filter screen
- Neutral rough-in and adjustable tail piece connection
- Manual flush override
- Smart sensor with self-adjusting detection range
- 6-second detection time to prevent ghost flushing
- Concealed flush valve with 1" angle stop and 1-1/2" vacuum breaker set
- ADA compliant

MODELS

- TET3GA31#SS (Back spud wall)
 - TET3GAR#SS (1.6 GPF flush valve)
 - VB1331#RB (1-1/2" vacuum breaker tube, 1" angle stop)
- TET3GA32#SS (Top Spud)
 - TET3GAR#SS (1.6 GPF flush valve)
 - VB0932#RB (1-1/2" vacuum breaker tube, 1" angle stop)
- TET3GA33#SS (Back spud floor)
 - TET3GAR#SS (1.6 GPF flush valve)
 - VB1333#RB (1-1/2" vacuum breaker tube, 1" angle stop)



Piston Valve

COLORS/FINISHES

- #SS Stainless Steel

OPTIONAL ACCESSORIES

- Z-4000-J - Adapter for ground joint angle stops

CODES/STANDARDS

- Meets or exceeds ASSE 1037, CSA B125.3
- Certifications: IAPMO(cUPC), ASSE, State of Massachusetts, and others
- Code Compliance: UPC, IPC, NSPC, NPC Canada, and others
- ADA compliant
- Complies with CA Prop 65 warning requirements



PRODUCT SPECIFICATION

TOTO® Model No. _____
 Product shall be 1.6 GPF. Product shall be an automatic infrared sensor-activated, toilet flush valve. Product shall use hydropower, ECOPOWER flush valve system. Product shall have 4" x 4" cover plate with brushed stainless steel finish and solid bronze valve body. Product shall have smart sensor with self-adjusting detection range. Product shall have neutral rough-in and adjustable tail piece connection. Product shall have smart sensor with self-adjusting detection range. Product shall have manual flush override. Product shall have 6-second detection time to prevent ghost flushing. Product shall have piston with debris screen and solenoid with self-cleaning mechanism. Product shall be ADA compliant.

TET3GA

ECOPOWER® Toilet Flush Valve, 1.6 GPF

SPECIFICATIONS

• Material	Bronze casting
• Power supply	ECOPOWER
• Sensor detection time	Factory setting at six (6) seconds minimum
• Sensor detection range	Self-adjusting to environment
• Discharge quantity	Preset to 1.6 GPF/ 6.0 LPF
• Operating temperature	32°-104°F (0°-40°C)
• Water supply pressure	15 psi - 125 psi*
• Water supply connection	1" NPT
• Warranty	Three year limited

*Water pressures over 80 psi are not recommended for most plumbing fixtures. Check your local plumbing code for details.

INSTALLATION NOTES

For commercial applications only.
Warning: Failure to properly adjust angle stop to the appropriate level can potentially cause property damage.

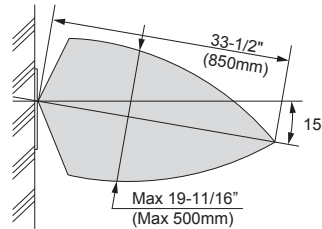
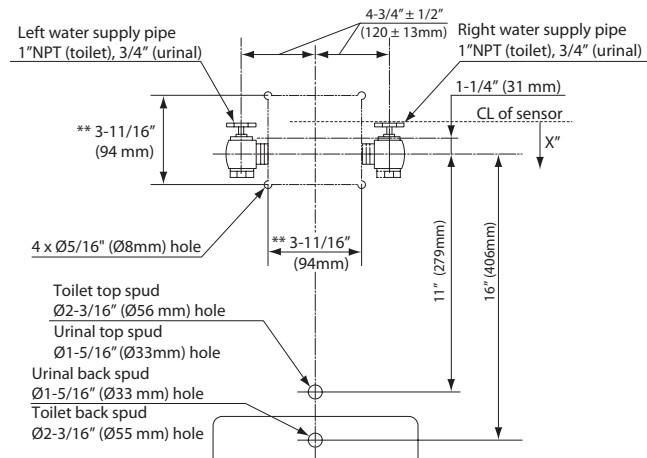
For detailed installation instructions, please refer to the installation manual.

Max flow rate to be used with
TET3GA_____: 1.6 GPF

Confirm with local codes and standards for floor drain requirement. Adjust control stop for proper flow rate to the fixture.

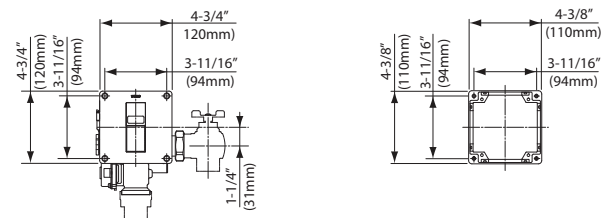
The recommended installation for the flush valve is to have a 7" (178mm) minimum space in wall with a minimum 12" x 12" access panel or walk-in chase (for service and maintenance purposes). Do not place grab bars in front of sensor for ADA stalls.

DIAGRAM



* X", ‡ = At least 5" clearance from sensor to tip of toilet seat up position or to top of grab bar is required to avoid false detection.

** Opening in wall



TOTO®

These dimensions and specifications are subject to change without notice