

TOTO®

MS964214CEF(G)

Eco Soirée® One-Piece Toilet, 1.28GPF

FEATURES

- Tornado Flush™ system, high efficiency (1.28GPF/4.8LPF)
- Optional CEFIONTECT® ceramic glaze - CEFIONTECT glaze prevents debris, and mold from sticking to ceramic surfaces, leading to fewer chemicals and less water in cleaning.
- Universal Height
- Decorative one-piece with skirted design and high-profile tank
- Elongated front bowl with SoftClose® seat (SS214)
- Chrome trip lever

MODELS

- MS964214CEFG
With CEFIONTECT ceramic glaze
- MS964214CEF
Less CEFIONTECT, SS214 SoftClose seat included
- TSU03W.10R - 10" Unifit rough-in (sold separately)
- TSU03W.14R - 14" Unifit rough-in (sold separately)

COLORS/FINISHES

- Standard
 - #01 Cotton
 - #03 Bone
 - #11 Colonial White
 - #12 Sedona Beige
 - #51 Ebony (not available in CEFIONTECT)

PRODUCT SPECIFICATION

The one-piece high efficiency Tornado Flush system toilet shall be 1.28GPF/4.8LPF. Toilet shall have optional CEFIONTECT ceramic glaze and be at Universal Height. Toilet shall be of skirted design with high-profile tank, elongated front bowl with SoftClose seat and Chrome trip lever. Toilet shall be TOTO Model MS964214CEF_____.



 **CEFIONTECT**

 **Tornado Flush**

CODES/STANDARDS

- Meets and exceeds ASME A112.19.2/CSA B45.1
- Certifications: IAPMO(cUPC), EPA Watersense, State of Massachusetts, City of Los Angeles, and others
- Code compliance: UPC, IPC, NSPC, NPC Canada, and others
- Legislative Compliance: California AB715, California Green Building Code, City of Los Angeles Water Efficiency Ordinance
- ADA compliant (when installed with trip lever located on the approach side)
- Complies with CA Prop 65 warning requirements



MS964214CEF(G)

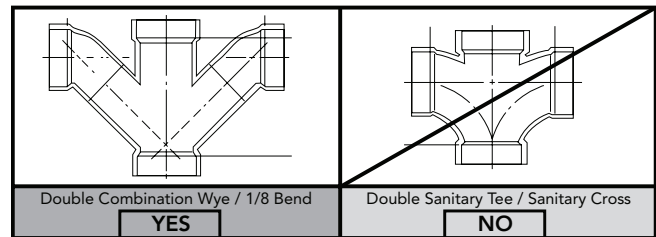
Eco Soirée® One-Piece Toilet, 1.28GPF

SPECIFICATIONS

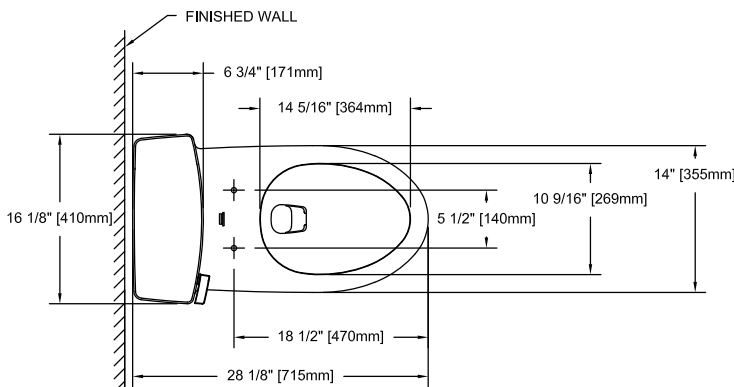
- Water Use 1.28 GPF/4.8LPF
- Flush System Tornado Flush
- Min. Water Pressure 8 psi (static)
- Water Surface 7-7/8" x 9-13/16"
- Trap Diameter 2-1/8"
- Rough-in 12" (Standard), 10", 14"
- Trap Seal 2-3/16"
- Warranty One Year Limited Warranty
- Material Vitreous china
- Shipping Weight 120 lbs.
- Shipping Dimensions 32" L x 20" W x 17-3/4" H¹ x 28-3/4" H²

INSTALLATION NOTES

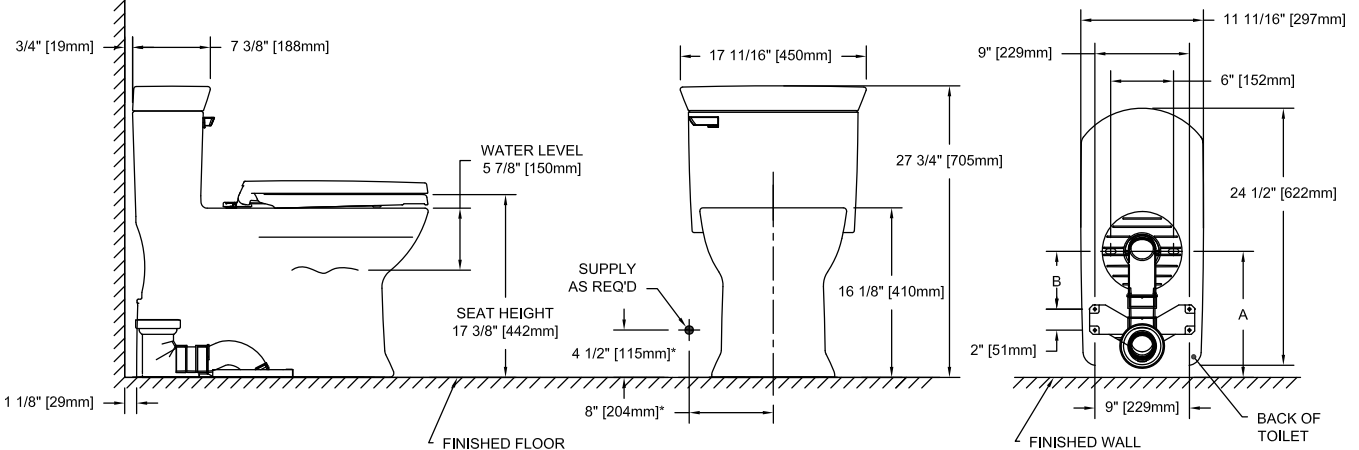
Back-to-Back Toilet Installations:
TOTO recommends the use of a nationally listed, double sanitary tee-wye only, in vertical waste stacks, in accordance with the stipulations noted in the majority of nationally recognized plumbing codes.



To maintain adequate wall gap between the back of the tank and wall, mount the floor flange at a nominal 12" rough-in distance.



UNIFIT TYPE	A	B
12" ROUGH	12" [305]	5 1/2" [140]
10" ROUGH	10" [254]	3 1/2" [89]
14" ROUGH	14" [356]	7 1/2" [191]



*SUGGESTED DIMENSIONS



These dimensions and specifications are subject to change without notice