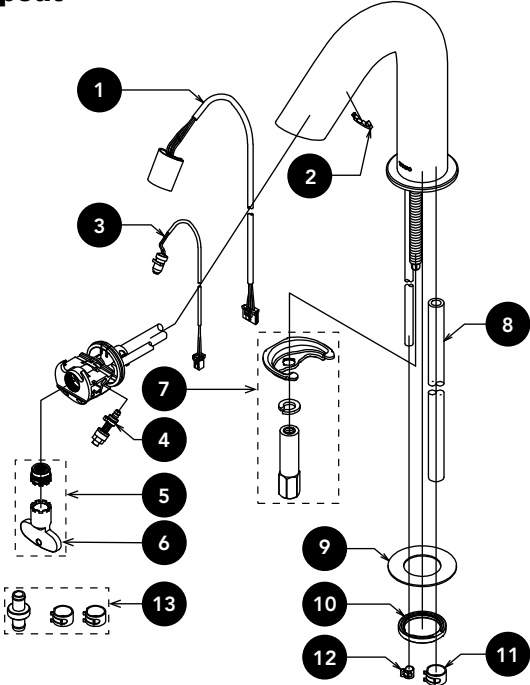


# T28S51S Series

## Touchless Faucet, Standard-R EWATER+ Spout AC System

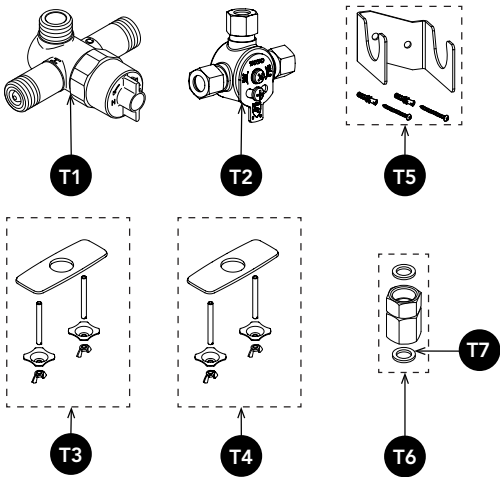
Product Number Kit#	Spout# (Design, Mode)	Controller# (Type, Mode)
T28S51S#\$\$	TLE31002U1#\$\$ (Standard-R EWATER+, On-Demand 10 sec)	TLE02502U (AC EWATER+ controller 0.5gpm)

### Spout



Item	Part	Description
1	THP3404	Sensor, Fan Shape, 0.5gpm/ On-Demand 10 sec
2	THP3432	Retaining Ring
3	THP3437	LED
4	THP3436	EWATER+ Nozzle
5	THP3412	Aerated Nozzle, 0.5gpm
6	THP3418	Aerator Key
7	THP3427	Spout Mounting Kit
8	THP3434	Hose, 1100mm
9	THP3425	Gasket
10	THP3426	Spacer
11	THP3153	Hose Clip (1pc)
12	THP3439	Hose Clip for EWATER+ (1pc)
13	THP3435	Hose Joint (1pc) w/ Hose Clip (2pcs)

### Thermostatic Mixing Valve & Accessories

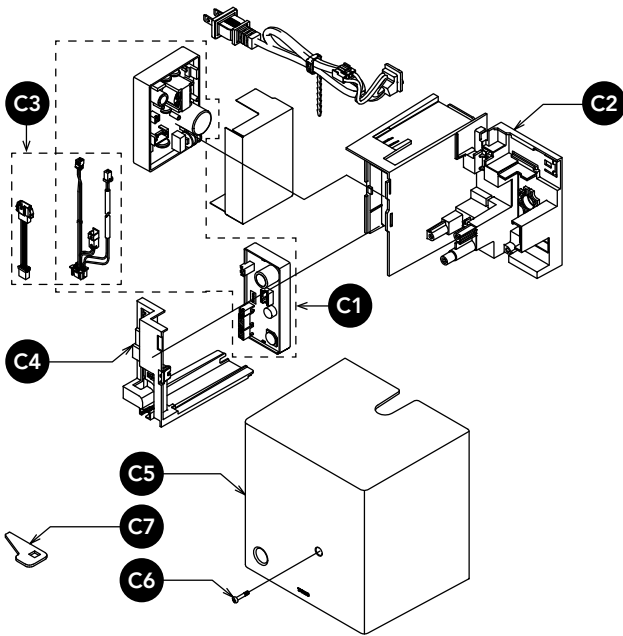


Item	Part	Description
T1	TLE05701U	Thermostatic Mixing Valve
T2	TLM10	Hot/Cold Mixing Tee
T3	THP5158#CP	Cover Plate - 4"
T4	THP5159#CP	Cover Plate - 8"
T5	THP5084	TLE05701U Mounting Bracket
T6	THP3237	TLE05701U Swivel Coupling
T7	THP3243	Gasket (2pcs)

# T28S51S Series

## Touchless Faucet, Standard-R EWATER+ Spout AC System

### AC Controller



Item	Part	Description
C1	THP3445	Controller, EWATER+
C2	THP3474	Case
C3	THP3478	Extension Harness, EWATER+
C4	THP3475	Case Cover
C5	THP3460	Cover
C6	THP3099	Screw for Cover
C7	THP3471	Key
C8	THP3479	EWATER+ Unit
C9	THP3458	Hose Joint Unit, EWATER+
C10	THP3132	O-Ring (1pc)
C11	THP3470	Snap Ring
C12	THP3451	Flow Regulator, 0.5gpm
C13	THP3453	Filter Unit
C14	THP3449	Solenoid Valve Unit, 0.5gpm, EWATER+
C15	THP3468	O-Ring (1pc)
C16	THP3467	Screw (1pc)
C17	THP3463	Screw and Anchor set (2pcs)
C18	THP3466	Mounting Nut
C19	THP3462	Mounting Bracket, EWATER+
C20	THP3465	Adapter w/ O-Ring (2pcs)
C21	THP3464	Quick Fastener
C22	THP3480	EWATER+ Filter Joint
C23	THP3469	O-Ring (1pc), EWATER+ Hose Joint
C24	THP3481	Quick Fastener, EWATER+ Unit

