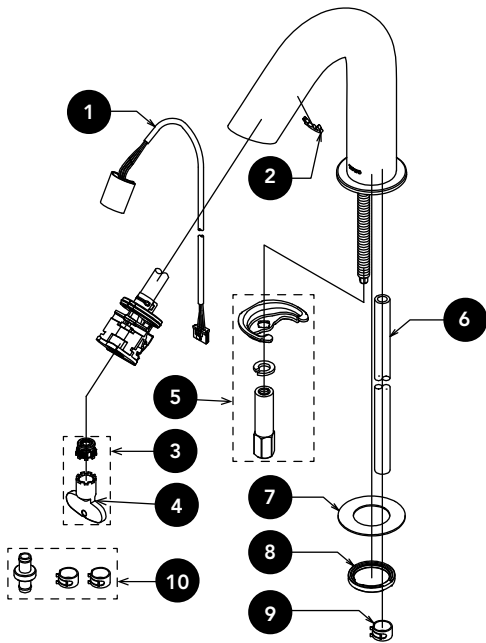


T28S* Series

Touchless Faucet, Standard-R Spout ECOPOWER® or AC System

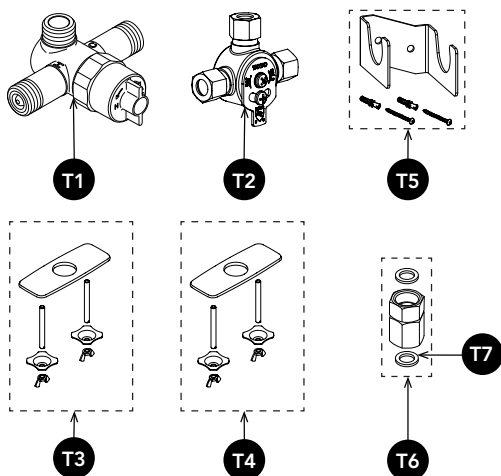
Product Number Kit#	Spout# (Design, Mode)	Controller# (Type, Mode)
T28S32E(iA)(i2)(i4)#\$\$	TLE28001U2#\$\$ (Standard-R, On-Demand 20 sec)	TLE03501U2(iA)(i2)(i4) (ECOPOWER controller 0.12gpc, On-Demand 20 sec)
T28S51E(iA)(i2)(i4)#\$\$	TLE28002U1#\$\$ (Standard-R, On-Demand 10 sec)	TLE03502U1(iA)(i2)(i4) (ECOPOWER controller 0.08gpc, On-Demand 10 sec)
T28S53E(iA)(i2)(i4)#\$\$	TLE28002U3#\$\$ (Standard-R, Continuous 20 sec)	TLE03502U3(iA)(i2)(i4) (ECOPOWER controller 0.17gpc, Continuous 20 sec)
T28S11E(iA)(i2)(i4)#\$\$	TLE28003U1#\$\$ (Standard-R, On-Demand 10 sec)	TLE03503U1(iA)(i2)(i4) (ECOPOWER controller 0.18gpc, On-Demand 10 sec)
T28S32A#\$\$	TLE28001U2#\$\$ (Standard-R, On-Demand 20 sec)	TLE01501U (AC controller 0.35gpm)
T28S51A#\$\$	TLE28002U1#\$\$ (Standard-R, On-Demand 10 sec)	TLE01502U (AC controller 0.5gpm)
T28S53A#\$\$	TLE28002U3#\$\$ (Standard-R, Continuous 20 sec)	TLE01502U (AC controller 0.5gpm)
T28S11A#\$\$	TLE28003U1#\$\$ (Standard-R, On-Demand 10 sec)	TLE01503U (AC controller 1.0gpm)

Spout



Item	Part	Description
1	THP3403	Sensor, Fan Shape, 0.35gpm/ On-Demand 20 sec
	THP3404	Sensor, Fan Shape, 0.5gpm/1.0gpm On-Demand 10 sec
	THP3405	Sensor, Fan Shape, 0.5gpm/ Continuous 20 sec
2	THP3432	Retaining Ring
3	THP3409	Aerated Nozzle, 0.35gpm
	THP3410	Aerated Nozzle, 0.5gpm
	THP3413	Laminar Nozzle, 1.0gpm
4	THP3418	Aerator Key
5	THP3427	Spout Mounting Kit
6	THP3434	Hose, 1100mm
7	THP3425	Gasket
8	THP3426	Spacer
9	THP3153	Hose Clip (1pc)
10	THP3435	Hose Joint (1pc) w/ Hose Clip (2pcs)

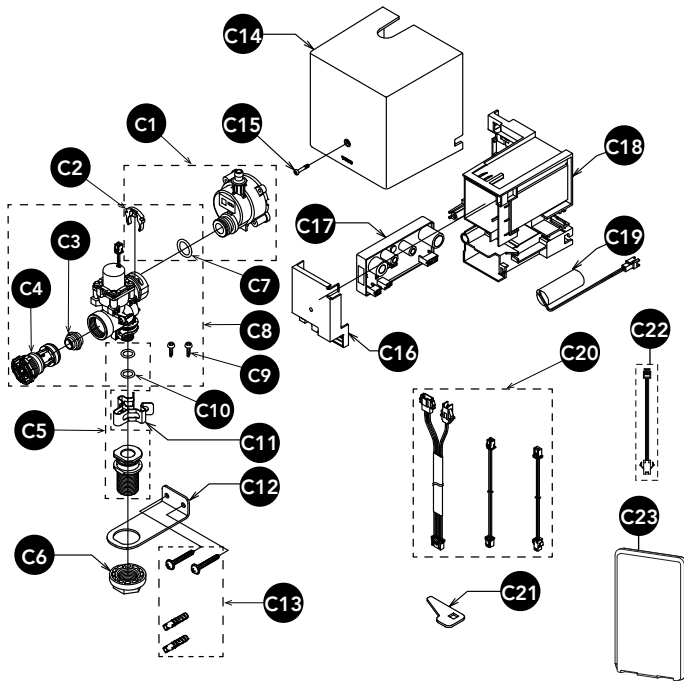
Thermostatic Mixing Valve & Accessories



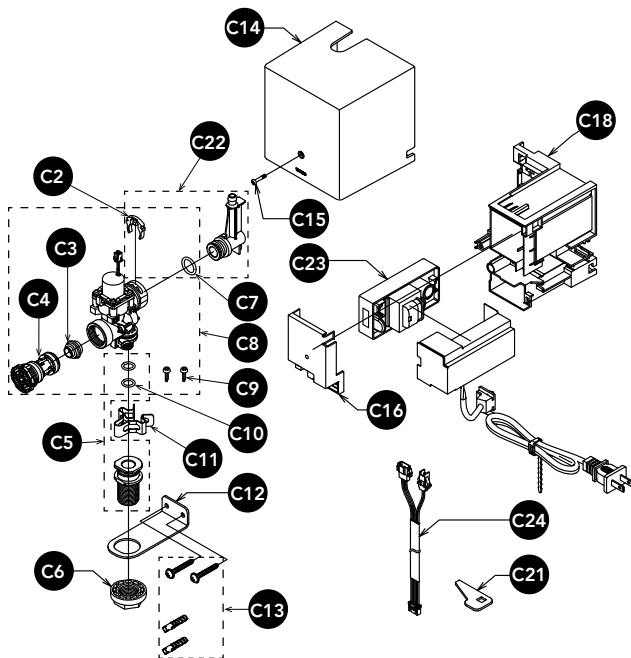
Item	Part	Description
T1	TLE05701U	Thermostatic Mixing Valve
T2	TLM10	Hot/Cold Mixing Tee
T3	THP5158#CP	Cover Plate - 4"
T4	THP5159#CP	Cover Plate - 8"
T5	THP5084	TLE05701U Mounting Bracket
T6	THP3237	TLE05701U Swivel Coupling
T7	THP3243	Gasket (2pcs)

Touchless Faucet, Standard-R Spout ECOPOWER® or AC System

ECOPOWER Controller



AC Controller



Item	Part	Description
C1	THP3454	Generator, 0.35gpm
	THP3455	Generator, 0.5gpm
	THP3456	Generator, 1.0gpm
C2	THP3470	Snap Ring
C3	THP3450	Flow Regulator, 0.35gpm
	THP3451	Flow Regulator, 0.5gpm
	THP3452	Flow Regulator, 1.0gpm
C4	THP3453	Filter Unit
C5	THP3465	Adapter w/ O-Ring (2pcs)
C6	THP3466	Mounting Nut
C7	THP3132	O-Ring (1pc)
C8	THP3446	Solenoid Valve Unit, 0.35gpm
	THP3447	Solenoid Valve Unit, 0.5gpm
	THP3448	Solenoid Valve Unit, 1.0gpm
C9	THP3467	Screw (1pc)
C10	THP3468	O-Ring (1pc)
C11	THP3464	Quick Fastener
C12	THP3461	Mounting Bracket
C13	THP3463	Screw and Anchor set (2pcs)
C14	THP3459	Cover
	THP3516	Cover, for IoT Controller
C15	THP3099	Cover Screw
C16	THP3473	Case Cover
C17	THP3441	Controller, ECOPOWER
	THP3558	On-Demand 20 sec IoT Controller, ECOPOWER
	THP3442	On-Demand 20 sec Controller, ECOPOWER
	THP3514	On-Demand 10 sec IoT Controller, ECOPOWER
	THP3443	On-Demand 10 sec Controller, ECOPOWER
	THP3559	Continuous 20 sec IoT Controller, ECOPOWER
		Continuous 20 sec
C18	THP3472	Case
C19	THP3053	Backup Battery (Lithium) (1pc)
C20	THP3476	Extension Harness, ECOPOWER
C21	THP3471	Key
C22	THP3515	IoT wire harness
C23		IoT communication card, please contact TOTO sales representative or technical support for more information.

Item	Part	Description
C2	THP3470	Snap Ring
C3	THP3450	Flow Regulator, 0.35gpm
	THP3451	Flow Regulator, 0.5gpm
	THP3452	Flow Regulator, 1.0gpm
C4	THP3453	Filter Unit
C5	THP3465	Adapter w/ O-Ring (2pcs)
C6	THP3466	Mounting Nut
C7	THP3132	O-Ring (1pc)
C8	THP3446	Solenoid Valve Unit, 0.35gpm
	THP3447	Solenoid Valve Unit, 0.5gpm
	THP3448	Solenoid Valve Unit, 1.0gpm
C9	THP3467	Screw (1pc)
C10	THP3468	O-Ring (1pc)
C11	THP3464	Quick Fastener
C12	THP3461	Mounting Bracket
C13	THP3463	Screw and Anchor set (2pcs)
C14	THP3459	Cover
C15	THP3099	Screw for Cover
C16	THP3473	Case Cover
C18	THP3472	Case
C21	THP3471	Key
C22	THP3457	Hose Joint Unit
C23	THP3444	Controller, AC
C24	THP3477	Extension Harness, AC