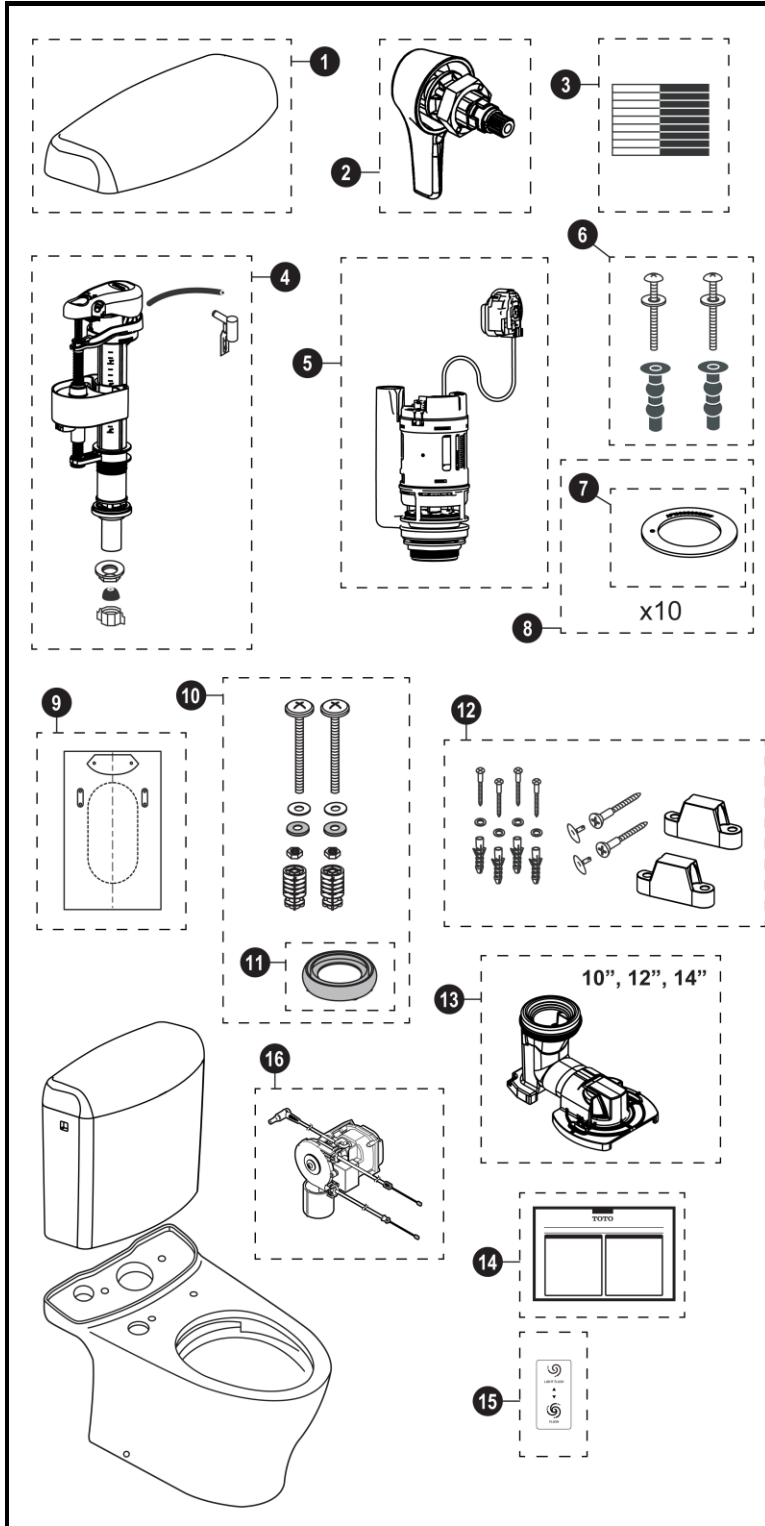


MS436124CEFG  
 MW4363046CEFG(A)  
 MW4363056CEFG(A)  
 CT446CUFGT40  
 ST436EMA  
 ST436EMR

**Aquia IV® Cube**  
**1.28 & 0.8 Gpf Toilet, Elongated, Universal Height**  
**DYNAMAX TORNADO FLUSH®, Unifit Rough-in,**  
**(CEFIONTECT® & Auto Flush compatible)**



Item	Part	Description
1	TCU436CRE#01	Tank Lid - Cotton
2	THU806#CP-A	Left Hand Trip Lever - Chrome Plated
	THU816#CP-A	Right Hand Trip Lever - Chrome Plated
3	THU107	Velcro Tape
4	TSU833.07-A	Fill Valve
5	THU792S-A	Flush Valve Assembly, 1.28 / 0.8 GPF, RH Trip Lvr
	THU817S-A	Flush Valve Assembly, 1.28 / 0.8 GPF
6	THU651N	Seat Top Mounting Hardware
7	9BU112E-A	Seal Gasket for Flush Valve (1 piece)
8	THU744	Seal Gasket for Flush Valve (10 pieces)
9	0GU181-A	12" Unifit Rough-in Template
	0GU182-A	10" & 14" Unifit Rough-in Template
10	THU741-A	Tank to Bowl Mounting Hardware
11	9BU109E-A	Tank to Bowl Gasket
12	THU742#01-A	Toilet Mounting Hardware
13	TSU08W.10	Unifit Rough-in 10"
	TSU08W.12	Unifit Rough-in 12"
	TSU08W.14	Unifit Rough-in 14"
14	0GU206	Installation Instructions
15	0EU148-A	Dual Flush Sticker (Top of Lid)
16	THU765	Autoflush Unit for Dual Flush

**Note:**

**Product Number Explanations**

**Two-Piece Toilet**

(MS) Toilet & Seat Combo  
 (MW) Toilet & Washlet® Combo

**Tank**

(ST) Tank  
 (436) Model  
 (E) 1.28 Gpf / 0.8 Gpf  
 (M) DUAL-MAX®  
 (R) Right Hand Trip  
 Lever  
 (A) Auto Flush  
 Compatible

**Bowl**

(CT) Bowl  
 (446) Model  
 (C) DYNAMAX  
 TORNADO FLUSH®  
 (F) Universal Height  
 (G) CEFIONTECT®  
 (T40) WASHLET®+

Actual Product may vary slightly from illustration.