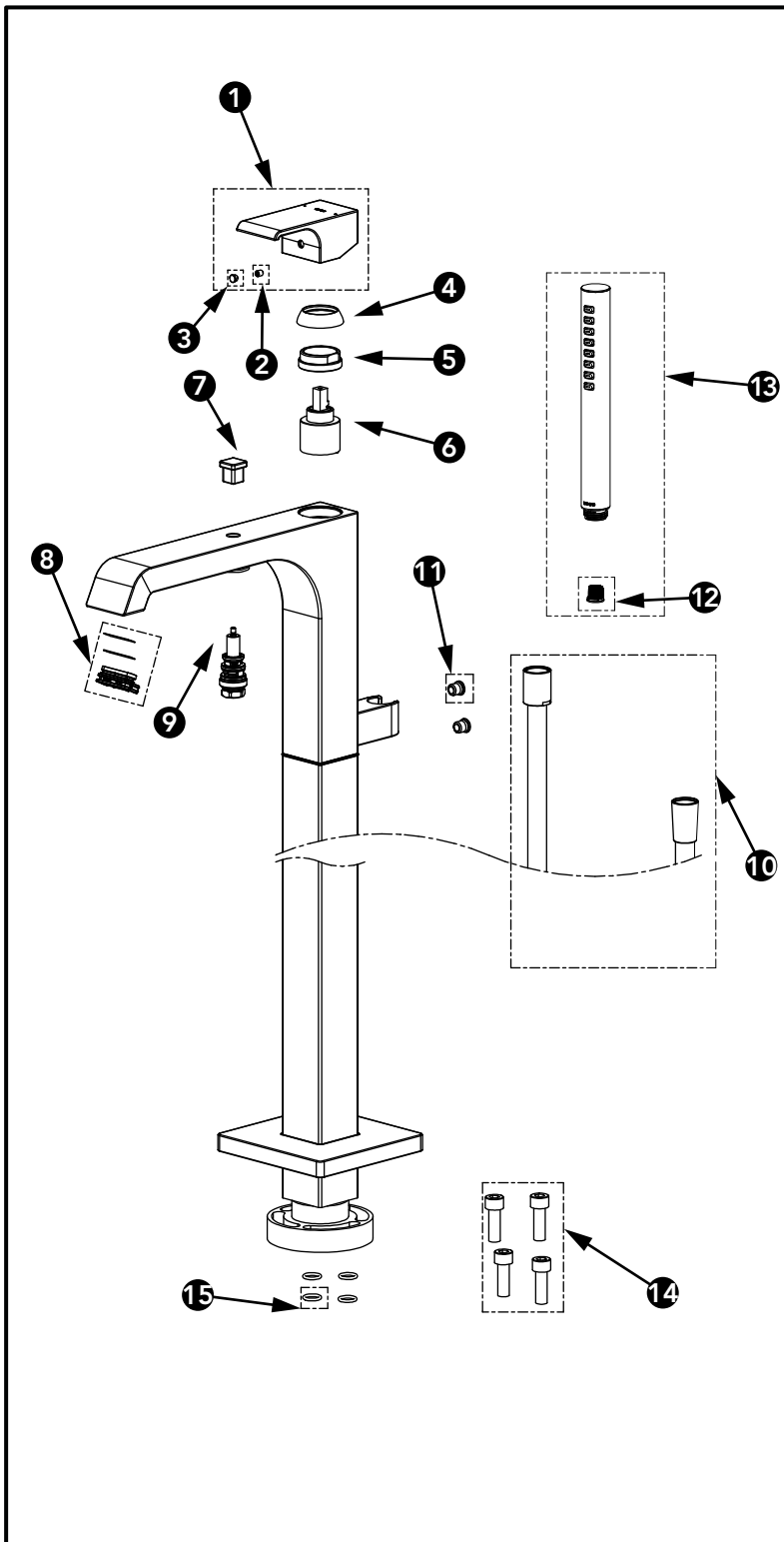


GC Freestanding Tub Filler



Item	Part	Description
1	THP5513###	Handle Assembly
2	THP5110	Set Screw
3	THP5296	Plug
4	THP5111###	Escutcheon
5	THP5210	Nut
6	THP5156	Cartridge
7	THP5512###	Diverter Knob
8	THP5514	Aerator
9	THP5317###	Diverter
10	THP5318###	Shower Hose
11	THP5319	Cap
12	THP5291	Filter Screen
13	TBW02016U4###	Hand shower
14	THP5322	Hex Screw (4pcs)
15	THP5321	O-Ring (1pc)

LEGEND
= Denotes Finish
#CP = Polished Chrome
#BN = Brushed Nickel

MADE TO ORDER
= Denotes Finish
#PN = Polished Nickel
#PFG = Polished French Gold
#PBR = Polished Bronze
#MBL = Matte Black