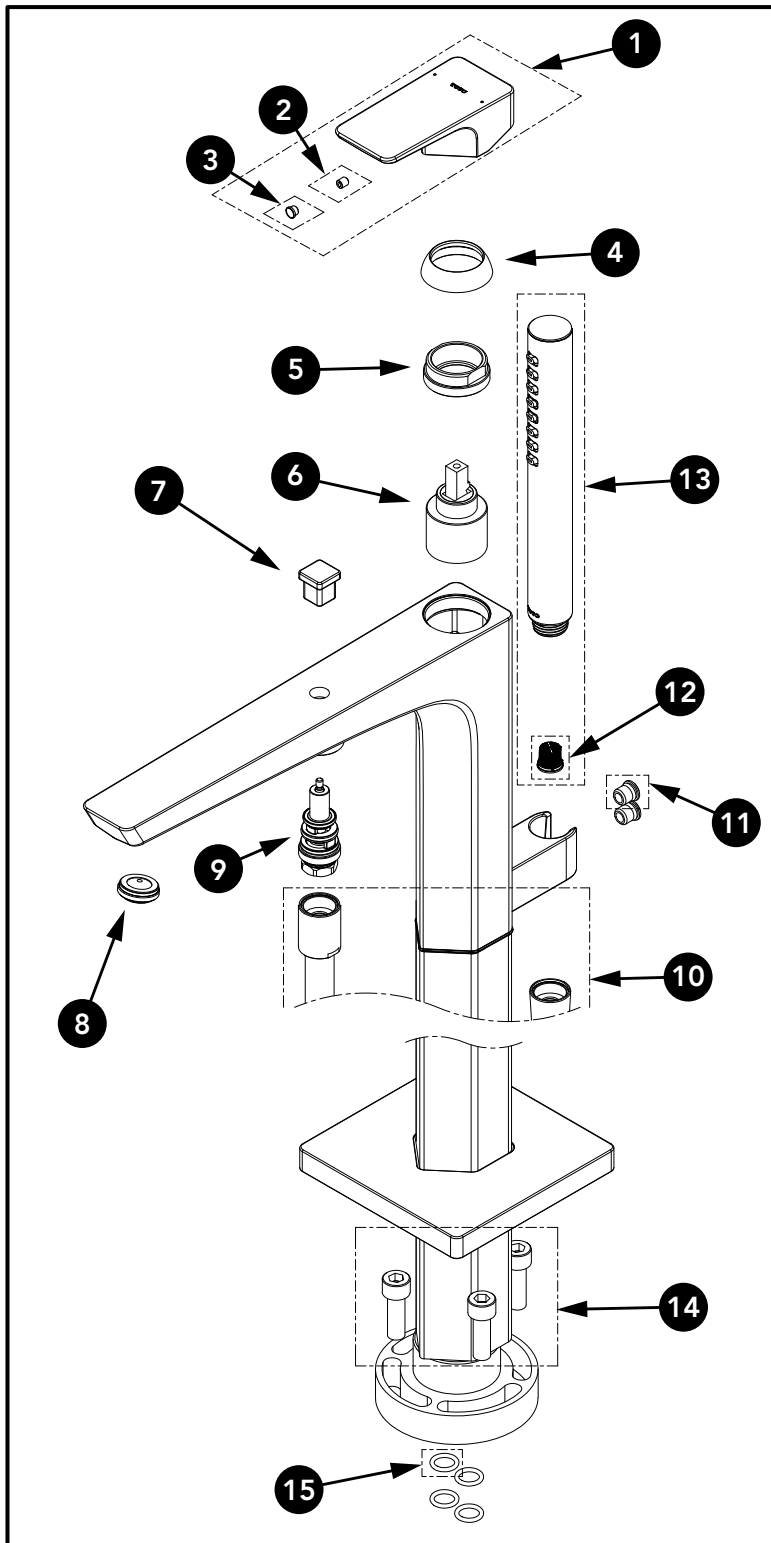


GE Freestanding Tub Filler



| Item | Part         | Description      |
|------|--------------|------------------|
| 1    | THP5511##    | Handle Assembly  |
| 2    | THP5110      | Set Screw        |
| 3    | THP5296      | Plug             |
| 4    | THP5111##    | Escutcheon       |
| 5    | THP5210      | Nut              |
| 6    | THP5156      | Cartridge        |
| 7    | THP5512##    | Diverter Knob    |
| 8    | THP5214      | Aerator          |
| 9    | THP5317##    | Diverter         |
| 10   | THP5318##    | Shower Hose      |
| 11   | THP5319      | Cap              |
| 12   | THP5291      | Filter Screen    |
| 13   | TBW02016U4## | Hand shower      |
| 14   | THP5322      | Hex Screw (4pcs) |
| 15   | THP5321      | O-Ring (1pc)     |

| LEGEND                |
|-----------------------|
| ## = Denotes Finish   |
| #CP = Polished Chrome |
| #BN = Brushed Nickel  |

| MADE TO ORDER               |
|-----------------------------|
| ## = Denotes Finish         |
| #PN = Polished Nickel       |
| #PFG = Polished French Gold |
| #PBR = Polished Bronze      |
| #MBL = Matte Black          |