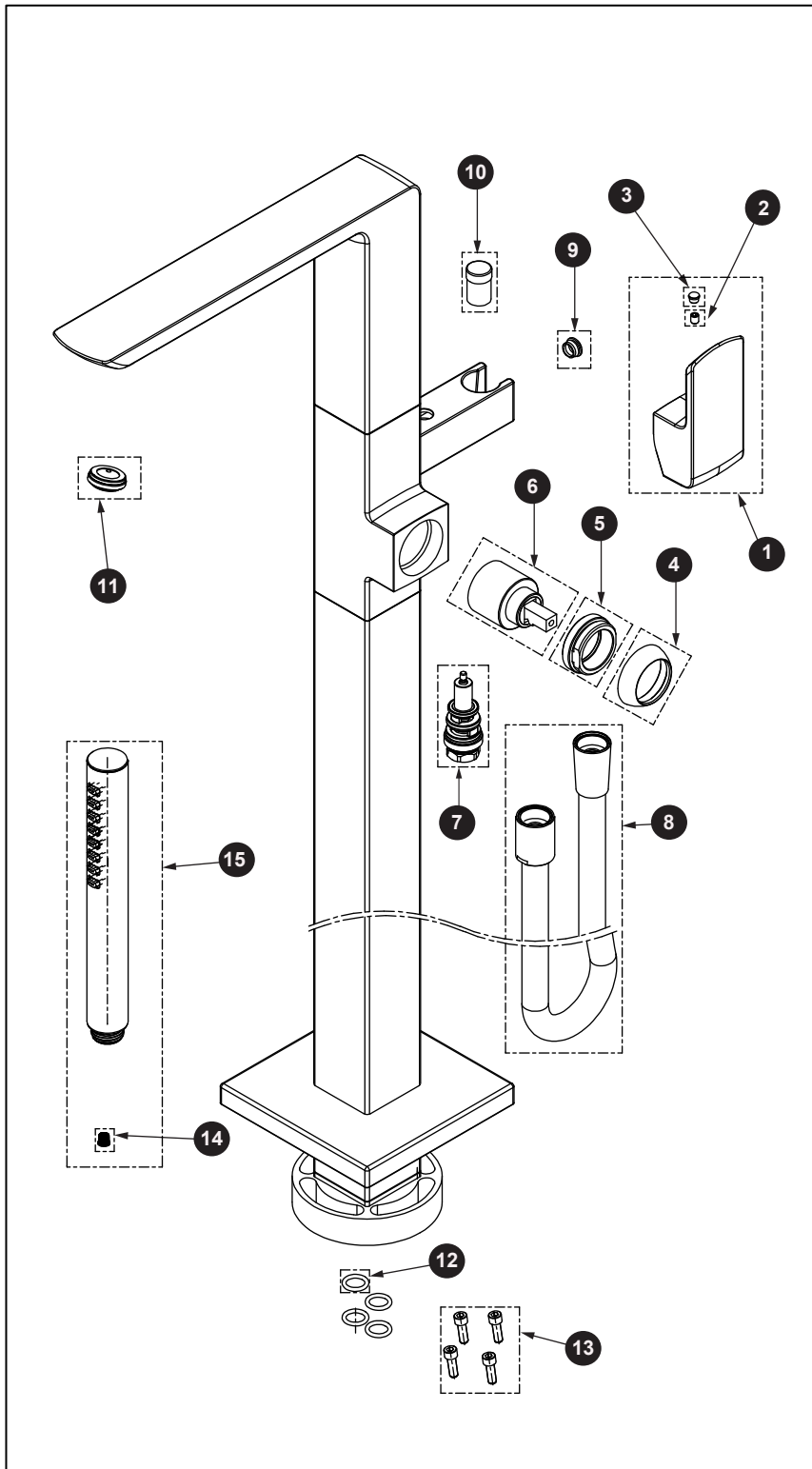


GR
Freestanding Tub Filler



Item	Part	Description
1*	THP5208#\$\$	Handle Assembly
2	THP5110	Set Screw
3	THP5296	Plug
4*	THP5111#\$\$	Escutcheon
5	THP5210	Valve Gland
6	THP5156	Cartridge
7	THP5317#\$\$	Diverter
8	THP5318#\$\$	Shower Hose
9	THP5319	Cap
10	THP5320#\$\$	Diverter Knob
11	THP5214	Aerator
12	THP5321	O-Ring (1pc/pkg)
13	THP5322	Hex Screws (4pcs/pkg)
14	THP5291	Filter Screen
15*	TBW02016U4#\$\$	Hand Shower

* Please specify finish when ordering

LEGEND
\$\$ = Denotes Finish
#CP = Polished Chrome
#BN = Brushed Nickel

MADE TO ORDER
\$\$ = Denotes Finish
#PN = Polished Nickel
#PFG = Polished French Gold
#PBR = Polished Bronze
#MBL = Matte Black