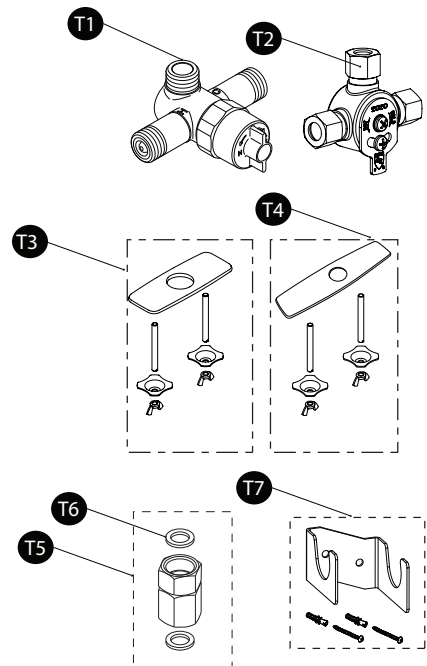
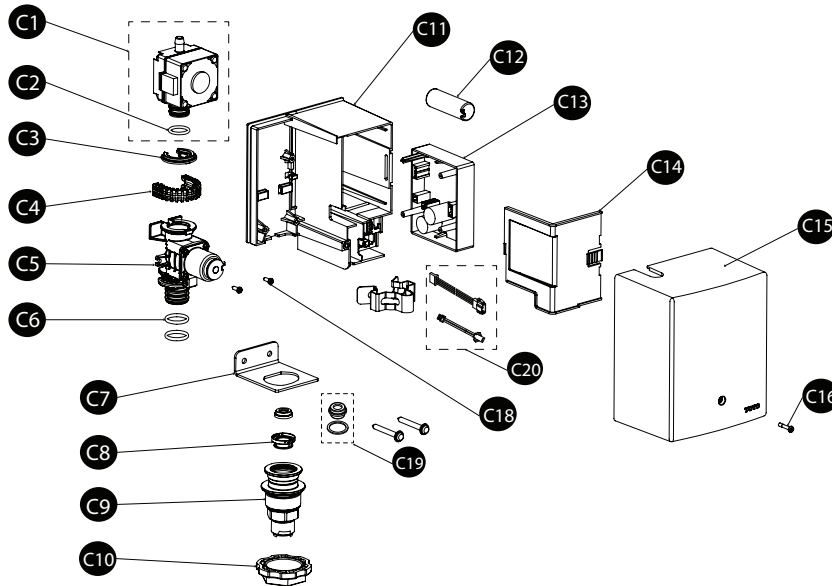
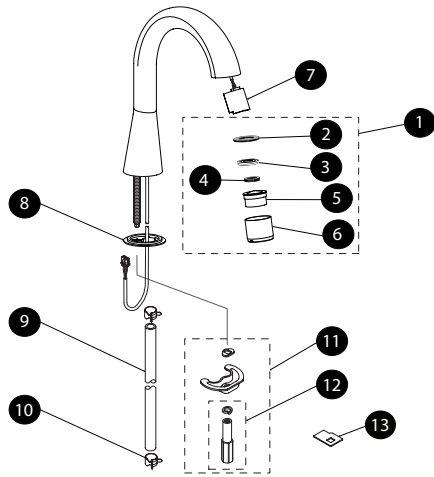


TEL15* Series

Sensor Faucet, Gooseneck Spout EcoPower® Self-Generation System



Product Number

- TEL155-D10E#\$\$
- TELS155#\$\$ (Gooseneck Spout)
- TELC105-D10E (Controller)
- TEL155-C20E#\$\$
- TELS155#\$\$ (Gooseneck Spout)
- TELC105-C20E (Controller)
- TEL151-D10E#\$\$
- TELS151#\$\$ (Gooseneck Spout)
- TELC101-D10E (Controller)
- TEL153-D20E#\$\$
- TELS153#\$\$ (Gooseneck Spout)
- TELC103-D20E (Controller)

Item Part Description

Aerator Nozzle for TELS153 (0.35 gpm)

- 1 THP3301#CP Aerator Nozzle kit, for 0.35 gpm
- 2 THP3144 Gasket OD22, ID12, H1.5 NBR
- 3 THP3302 Fastener-Libella & Goose 0.35gpm
- 4 THP5100 NBR Gasket OD13 3.4, ID8 5.1, H2 3.6
- 5 THP3311 Aerator Nozzle 0.35gpm
- 6 THP3300#CP Housing Gooseneck 0.35 gpm

Aerator Nozzle for TELS155 (0.5 gpm)

- 1 TH559EDV565 Aerator Nozzle kit, for 0.5 gpm
- 2 THP3145 Gasket, for 0.5 gpm
- 6 THP3151#\$\$ Housing, for 0.5 gpm

Aerator Nozzle for TELS151 (1.0 gpm)

- 1 TH559EDV564 Aerator Nozzle kit, for 1.0 gpm
- 2 THP3144 Gasket, for 1.0 gpm
- 6 THP3150#\$\$ Housing

Laminar Nozzle for TELS155 or TELS151

- 2 THP3144 Gasket
- 5 THP3094 Laminar nozzle
- 6 THP3150#\$\$ Housing

All models

- 7 THP3155 Sensor
- 8 THP3149 Gasket
- 9 THP3152 Hose
- 10 THP3153 Clip (1 pc)
- 11 TH559EDV402R Spout Mounting Kit
- 12 TH559EDV403R Spout Nut w/ Lockwasher
- 13 THP3305 Nozzle Removal Key

Item Part Description

- C1 TH559EDV562 Generator for TELC105-D10E, TELC105-C20E
- C1 TH559EDV462 Generator for TELC101-D10E
- C1 THP3275 Generator for TELC103-D20E
- C2 THP3132 O-ring (1 pc)
- C3 THP3107 Spacer, between Gene and Solenoid
- C4 THP3106 C-Clip, between Gene and Solenoid
- C5 THP3108 Solenoid Valve Unit
- C6 THP4115 O-ring (1 pc)
- C7 THP3112 Mount Bracket
- C8 THP3111 Strainer
- C9 THP3102 Adaptor, Supply in
- C10 THP3101 Large Nut for Mount
- C11 THP3113 Case
- C12 THP3053 Backup Battery (Lithium) (1 pc)
- C13 THP3096 Controller for TELC105-D10E, TELC101-D10E
- C13 THP3114 Controller for TELC105-C20E
- C13 THP3274 Controller for TELC103-D20E
- C14 THP3105 Cover, Controller
- C15 THP3098 Cover
- C16 THP3099 Screw for Cover
- C17 THP3109 Quick Fastener
- C18 THP4485 Screw (1 pc)
- C19 THP3272 Flow Regulator Adapter and Gasket for TELC103
- C20 THP3276 Extension harnesses (2 types per bag)
- T1 TLE05701U Thermostatic Mixing Valve (for min 0.35 gpm)
- TLT20 Thermostatic Mixing Valve (for 0.35 gpm)
- T2 TLM10 Hot/Cold Mixing Tee
- T3 THP3158#CP Cover Plate - 4"
- T4 THP3159#CP Cover Plate - 8"
- T5 THP3237 Swivel Coupling G1/2 x G1/2
- T6 THP3243 Gasket (2 pc)
- T7 THP5084 TLT10(R) Mounting Bracket