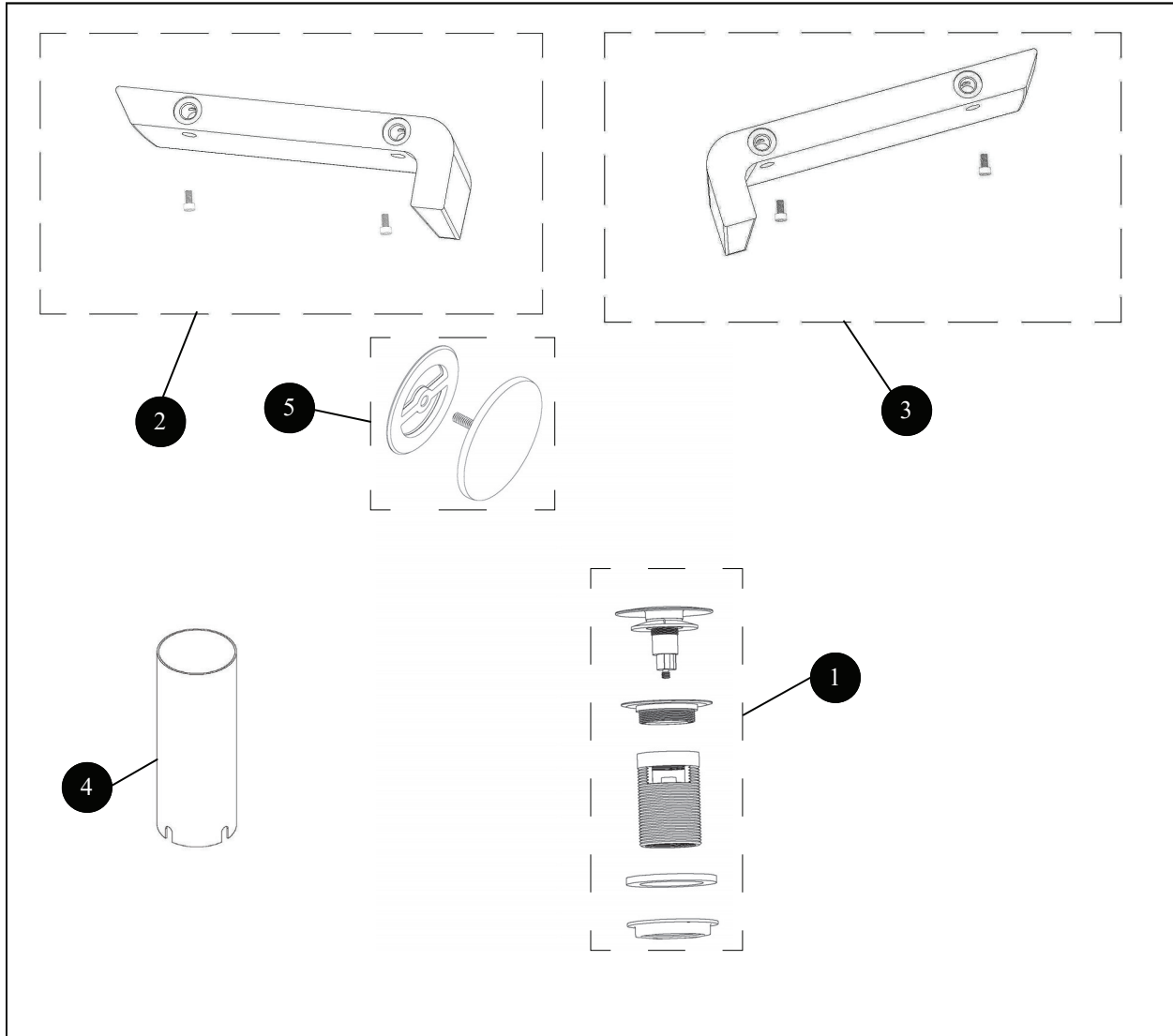


# ABF964N#&&D\$\$

## Acrylic Freestanding Bathtub



LEGEND
\$\$ = DENOTES FINISH
#CP - Polished Chrome
#BN - Brushed Nickel
#PN - Polished Nickel

Item	Part	Description
1	THU5167#\$\$-A	DRAIN
2	THU5143#\$\$	LEFT GRAB BAR
3	THU5144#\$\$	RIGHT GRAB BAR
4	8FU5003	DRAIN TOOL
5	THU5169#\$\$-A	OVERFLOW COVER